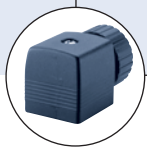




2/2-way Solenoid Valve for aggressive media

- Isolating diaphragm between the solenoid and fluid
- Non-metallic valve internals
- Pivoted armature, with lockable manual override
- Simple installation and removal

Type 0142 can be combined with...



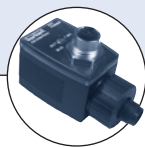
Type 2508

Cable plug



Type 1078

Timer unit



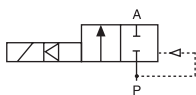
Type 2511/12

ASI cable plug

Servo-assisted solenoid valve with diaphragm, normally closed function. Hermetic isolation of fluid from the actuator. A minimum differential pressure of 0.5 bar is required to fully open the valve.

Valves can be mounted or removed radially for a space-saving installation.

Circuit function A



2/2- way valve, normally closed, with 3-way pilot servo-assistance

Technical data

Orifice	DN 15 - 50
Body material	PVC, PVDF (on request)
Inner part valve	PVDF
Seal material	FKM, EPDM
Media with EPDM with FKM	Alkalis, alkaline washing and bleaching lyes Oxydizing acids and substances, salt solutions
Media temperature PVC-body PVDF-body	0 to +50°C 0 to +70°C
Ambient temperature PVC-body PVDF-body	0 to +40°C 0 to +55°C
Voltage tolerance	±10%
Duty cycle	100% continuous rating
Electrical connection	Cable plug for Ø 7 mm acc. to DIN EN 175301-803 Form A (supplied as standard)
Protection class	IP 65 with cable plug
Port connection	True union
Installation	as required, preferably with actuator upright

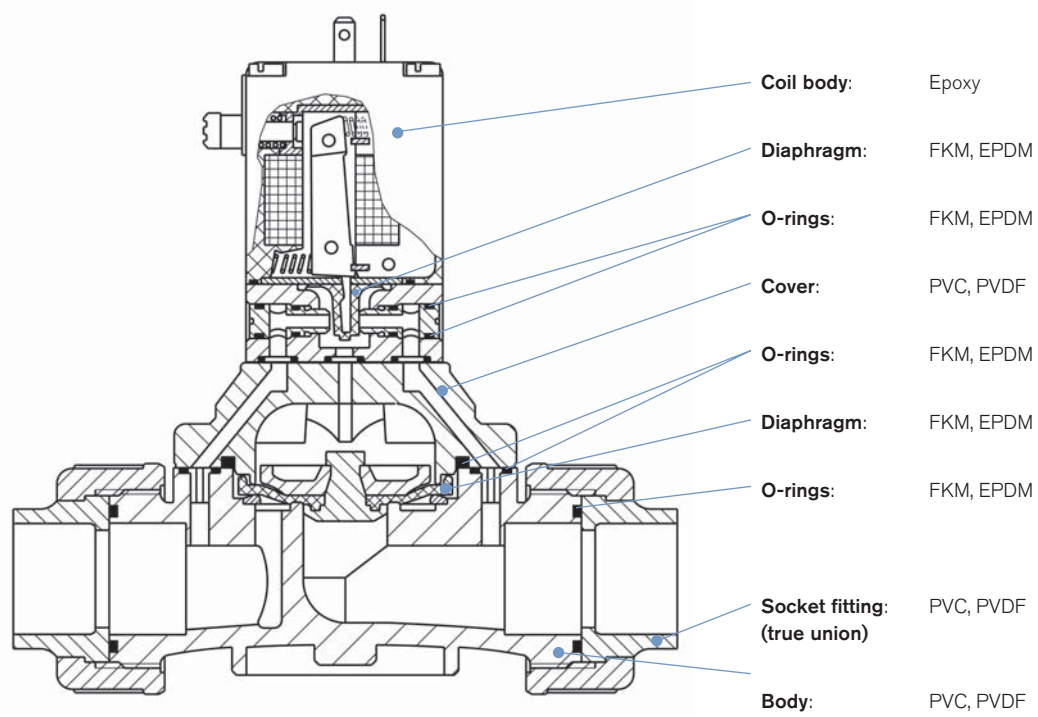
Power consumption	
Inrush	
AC [VA]	20
DC [W]	5
Hold	
AC [VA/W]	11/5
DC [W]	5

Response times ¹⁾

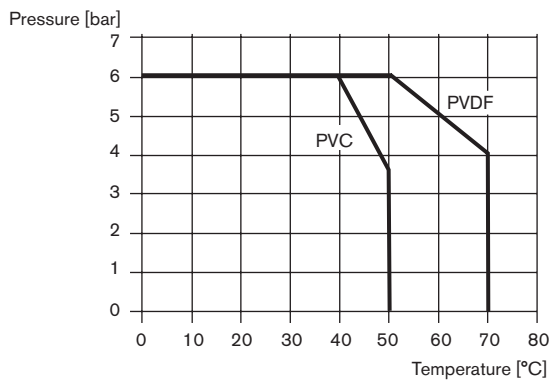
Opening [ms]	100 - 800
Closing [ms]	1000 - 4000

¹⁾ Measured at valve outlet at 6 bar and +20°C acc. to ISO 12238.
Opening: Pressure rise 0 to 90%, Closing: Pressure drop 100 to 10%

Materials



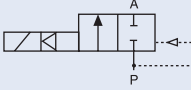
Pressure-Temperature-chart for PVC and PVDF



Ordering chart for valves (other versions on request)

PVC-body

With cable plug out of polypropylene, diaphragm material FKM or EPDM, with manual override

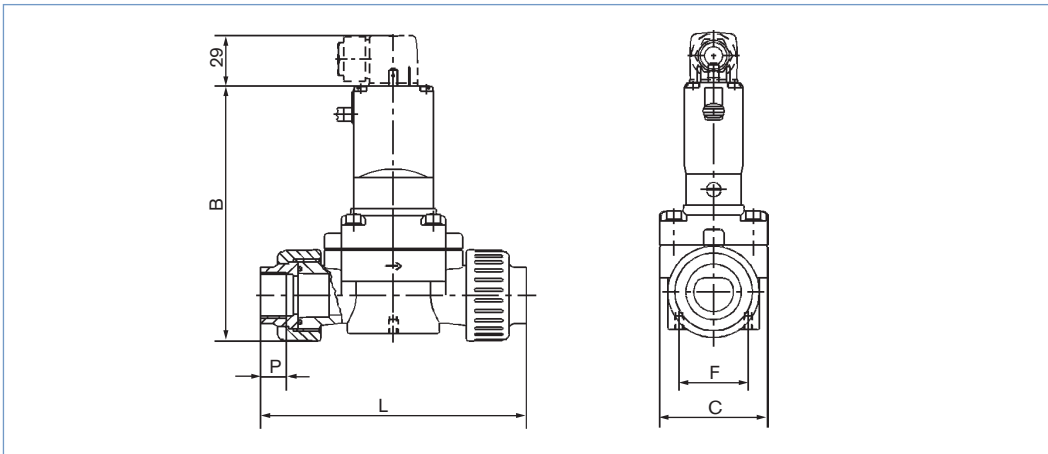
Circuit function	Orifice [mm]	Port connection true union	Kv value water [m ³ /h] ¹⁾	Pressure range ²⁾ [bar]	Body material	Weight [kg]	Voltage/frequency [V/Hz]	Item no. diaphragm material FKM	Item no. diaphragm material EPDM
A  2/2- way valve, normally closed, with 3-way pilot servo-assistance	15	20	5.0	0.5 - 6	PVC	0.7	024/DC	041 938	041 980
							230/50	041 934	041 911
	20	25	6.0	0.5 - 6	PVC	0.7	024/DC	042 008	042 045
							230/50	042 005	041 986
	25	32	14.0	0.5 - 6	PVC	1.3	024/DC	042 079	042 047
							230/50	042 113	042 126
	32	40	16.0	0.5 - 6	PVC	1.3	024/DC	042 169	042 183
							230/50	042 133	042 128
	40	50	30.0	0.5 - 6	PVC	2.6	024/DC	042 198	042 195
							230/50	042 245	042 247
	50	63	36.0	0.5 - 6	PVC	2.6	024/DC	042 264	042 266
							230/50	042 262	042 261

1) Flow rate: Kv-value [m³/h]: Measured at +20°C, 1 bar pressure at valve inlet and free outlet
 2) Pressure values [bar]: Gauge pressures with respect to the prevailing atmospheric pressure

i Further versions on request

- Body material PVDF
- Other voltages
- With threaded port

Dimensions [mm]



All versions					PVC-body		PVDF-body	
DN	Pipe Ø	B	C	F	L	P	L	P
15	20	148	62.5	40	148	16	147	16
20	25	148	62.5	40	154	19	151	18
25	32	174.5	85	44.5	190	22	185	20
32	40	174.5	85	44.5	198	26	189	22
40	50	212	115	44.5	254	31	245	25
50	63	212	115	44.5	268	38	253	29

To find your nearest Bürkert facility, click on the orange box →

www.burkert.com

In case of special application conditions, please consult for advice.

We reserve the right to make technical changes without notice.

0602/1_EU-en_00891606