



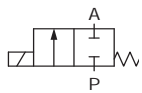
2/2 and 3/2-way Rocker Solenoid Valve for analytical applications

- 16 mm width
- Orifice DN 2.0 - DN 3.0
with pressure range vacuum to 5 bar
- Medium separation, for aggressive fluids
- High back-pressure tightness
- Direct acting

Type 6626 combines the reliable and successful Rocker principle with a highly innovative new actuator. The TwinPower concept of this actuator reduces the size greatly without loss in performance. Hence the 16 mm wide medium isolated rocker valve, 6626, with a 3.0 mm orifice and a pressure resistance of 2 bar, provides the same performance as a traditional 22 mm valve. In addition, the integrated power reduction decreases the energy consumption by 75%. In combination with other design features the heat transfer into the medium can be reduced to a minimum.

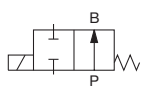
In the design of the 6626, the main benefits lie in its excellent cleanability and a high reliability. By using high performance materials the 6626 suits the handling of aggressive medium perfectly. The valve is available in a 2-way and 3-way version.

Circuit function A



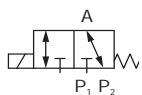
2/2-way valve,
direct acting,
normally closed

Circuit function B



2/2-way valve,
direct acting,
normally open

Circuit function T



3/2-way valve,
universal function

Technical Data	
Orifice	DN 2.0 mm, DN 3.0 mm
Body material	PEEK, PPS
Seal material	FFKM, FKM, EPDM
Medium	Resistant to neutral and aggressive gases and liquids acc. to our chemical resistance chart
Medium temperature	
FFKM	+15 °C to +50 °C
FKM	-10 °C to +50 °C
EPDM DN 2.0	-10 °C to +50 °C
EPDM DN 3.0	+5 °C to +50 °C
Ambient temperature	
FFKM	+15 °C to +55 °C
FKM	-10 °C to +55 °C
EPDM DN 2.0	-10 °C to +55 °C
FFKM DN 3.0	+5 °C to +55 °C
Internal volume	<470 µl
Port connection	Sub-base, UNF, G 1/8, Tube
Electrical connection	Flying leads, Rectangular plug
Power supply	24 V ¹⁾ , 12 V ¹⁾
Voltage tolerance	24V ±10% ²⁾ 12V +10% / -5% ²⁾
Nominal power consumption	13.6W inrush power 3.4W nominal holding power (internal power reduction)
Duty cycle	100% continuous rating
Installation	As required
Protection class	IP 40
Switching frequency	max. 2 Hz ³⁾
Response times³⁾	
opening	ca. 10 ms (Pressure rise 0-10%)
closing	ca. 15 ms (Pressure drop 100-90%)

¹⁾ Battery voltage, observe polarity (red= +, black = -)

²⁾ Max. allowed ripple

³⁾ with ambient temperature of 20° C

Ordering chart

Circuit function	Orifice [mm]	Port connection	Kv value water [m ³ /h] ¹⁾	Pressure range [bar] ²⁾	Max. pressure difference [bar]	Seal material	Body material	Electrical connection	Voltage/Frequency [V/Hz]	Item no.					
<p>2/2-way valve, direct acting, NC</p>	2.0	Sub-base	0.10	vac - 3 (vac - 5)	3 (5)	EPDM	PPS	Rectangular Plug ³⁾	12	247 769					
											24	247 771			
		UNF									Flying Leads	24	247 775		
													247 786		
													251 709		
	G 1/8							Rectangular Plug ³⁾		252 770					
									Flying Leads		234 278				
	<p>2/2-way valve, direct acting, normally open</p>	3.0	Sub-base	0.19			EPDM	PPS	Rectangular Plug ³⁾	24	247 797				
															238 530
															12
			UNF									Flying Leads	24	247 819	
														251 711	
														252 771	
Tube									Rectangular Plug ³⁾	24	252 772				
												247 789			
												Flying Leads	228 642		
									Rectangular Plug ³⁾		247 810				
<p>3/2-way valve, direct acting, Universal version</p>		2.0	Sub-base	0.10	vac - 3 (vac - 5)	3 (5)	EPDM	PPS	Rectangular Plug ³⁾	24	247 826				
													12	247 829	
													24	247 841	
	UNF									Rectangular Plug ³⁾	12	247 838			
														251 713	
														252 774	
								Flying Leads	24	252 775					
								Rectangular Plug ³⁾		247 851					
<p>3/2-way valve, direct acting, Universal version</p>	3.0	Sub-base	0.19			EPDM	PPS	Rectangular Plug ³⁾	12	247 853					
														24	234 371
															238 531
		UNF									Flying Leads	12	247 874		
															247 877
															252 776
	G 1/8								Rectangular Plug ³⁾	24	251 715				
													247 872		
													247 844		
	Tube								Flying Leads	24	247 859				
													247 858		
													247 869		

¹⁾ Measured at +20 °C, 1 bar pressure at value inlet and free outlet.




²⁾ Measured as overpressure with respect to atmospheric pressure.

³⁾ Please order the rectangular plug separately. For selection possibilities see accessories.

Note: () Values in brackets are only for gas mediums.

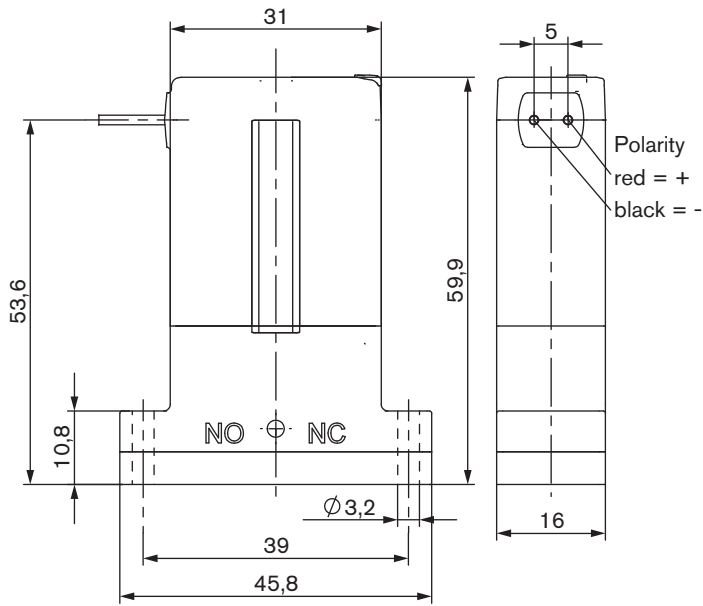
Ordering chart accessories

Rectangular plug Type 2505

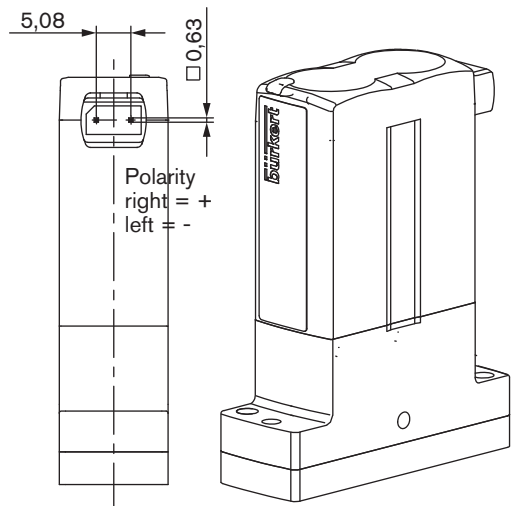
	Accessories	Item no.
	Rectangular plug with 3 m cable	133 486
	Rectangular plug with 300 mm flying leads	644 068
	Rectangular plug, single contact for individual mounting	644 067

Dimensions [mm]

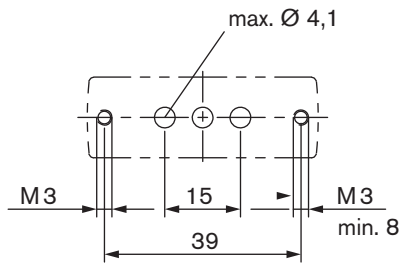
Electrical connections: flying leads



Electrical connections: rectangular plug

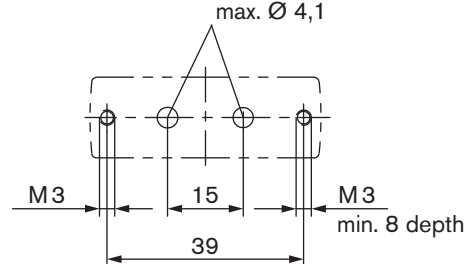


Sub-base body for 3/2-way connection

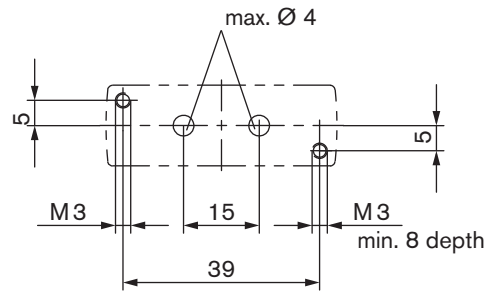
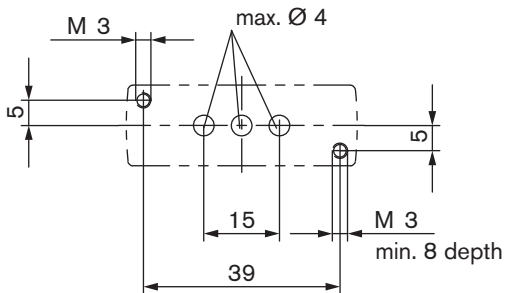


preferred threaded connection

Sub-base body for 2/2-way connection

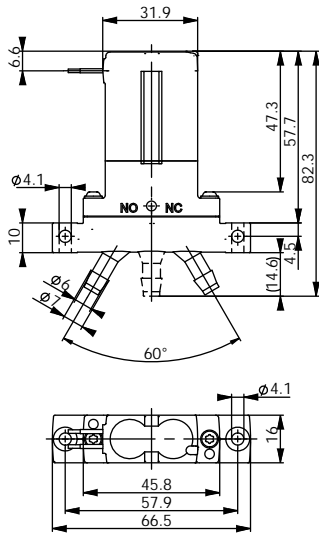


further possible threaded connection

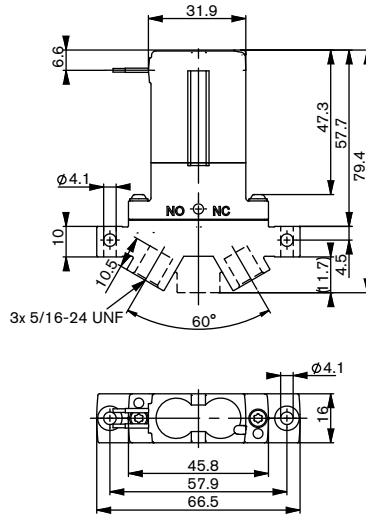


Dimensions [mm]

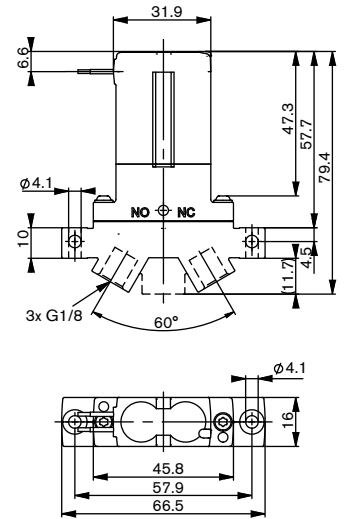
Body, tube connector



Body, UNF 5/16" -24



Body, G1/8



Application examples

Tube 2-way



UNF 2-way



Tube 3-way



UNF 3-way



To find your nearest Bürkert facility, click on the orange box →

www.buerkert.com

In case of special application conditions, please consult for advice.

Subject to alterations © Christian Bürkert GmbH & Co. KG

1303/3_EU-en_00895195