



Robolux multiway multiport diaphragm valve, pneumatically operated

- Allows optimized processes designs
- Reduced installation costs
- Reduced number of valves and welds
- Stainless steel bodies in different configurations
- Approvals FDA, CE, USP VI, ATEX, 3.1

Type 2036 can be combined with...



Type 8685

Position feedback head



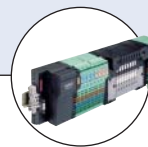
Type 8686

Control head



Type 2103

Diaphragm valve



Type 8640 / 8644

Valve block



Type 8055

Full bore magflowmeter

This Multiway-Multiport Diaphragm Valve system is designed for control of ultra pure, sterile, aseptic and steam/CIP fluid paths. It enables optimal sampling, draining or diverting of critical process fluids.

The valve range is based on the patented Robolux technology, where two seats are placed under one diaphragm. This design eliminates dead legs and will minimize the flow system volume.

The valve body is machined from a single piece of bar stock stainless steel. The high quality diaphragms are available in several different USP class VI approved materials. The valve is operated with compressed air.

With the Feedback and Control Heads the Robolux fits perfectly into Bürkert's decentralized automation concept.

All valves will be delivered with 3.1 certificate, installation drawing and manual instruction.

Technical data	
Port connection size	1/4" to 2", DN 4 - 50
Materials Valve body Diaphragm Actuator	<ul style="list-style-type: none"> ▪ 1.4435 stainless steel (316L) ▪ EPDM, EPDM (AD), advanced PTFE/EPDM laminated (EK) ▪ 1.4308 stainless steel (CF8)
End connections Weld end Clamp	<ul style="list-style-type: none"> ▪ DIN EN ISO 1127 / ISO 4200 / DIN 11866 series B ▪ DIN 11850 Reihe 2 / DIN 11866 series A ▪ ASME BPE / DIN 11866 series C ▪ DIN 32676 Series A (DIN Tube) ▪ DIN 32676 Series B (ISO Tube) ▪ ASME BPE
Surface quality internally mechanically polished internally electropolished	<ul style="list-style-type: none"> ▪ Ra ≤ 0,5 µm (ASME BPE SF1) (external Ra ≤ 1,6 µm) ▪ Ra ≤ 0,38 µm (ASME BPE SF4 / DIN HE4) (external Ra ≤ 1,6 µm) (others on request)
Medium pressure	max. 8 bar ¹⁾ (depending on actuator and diaphragm)
Pilot pressure	6-10 bar for RV50/70 6-7 bar for RV110
Pilot air ports	Thread G 1/8"
Temperature EPDM (AD) advanced PTFE/EPDM laminiert (EK) Ambience	+5 to +130°C (steam sterilisation +140°C for 60 min) +5 to +90°C (not recommended for steam) 0 to +60°C

¹⁾ Pressure data [bar]: Overpressure with respect to atmospheric pressure

Technical data (continued)

Approval

Certificates are delivered together with the valves.

- Valve bodies: EN ISO 10204 3.1
- ATEX Certification: PTB 13 ATEX D103 X
II 2G c IIC T4
II 2D c T135°C
- Diaphragms: FDA CFR 177.2600; FDA CFR 177.1550
USP VI (121 ° C, EPDM, advanced PTFE / EPDM)

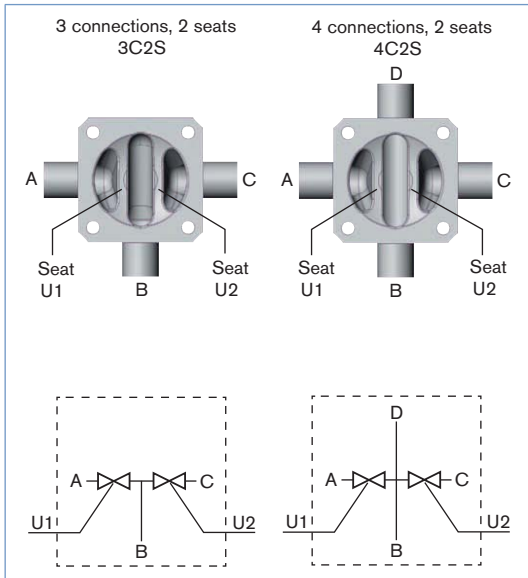
Medium pressure

Actuator size	Actuator version (for detail see last page)	Pilot pressure [bar]	Max. operating pressure [bar]	
			EPDM	Advanced PTFE
RV50	D11	6-10	7.5	7.5
	D55 (reduce spring)	4-10	5	3.5
RV70	D11	6-10	8	8
	D55 (reduce spring)	4-10	5.5	6
RV110	D11	6-7	7	7.5
	D55 (reduce spring)	4-7	5	5

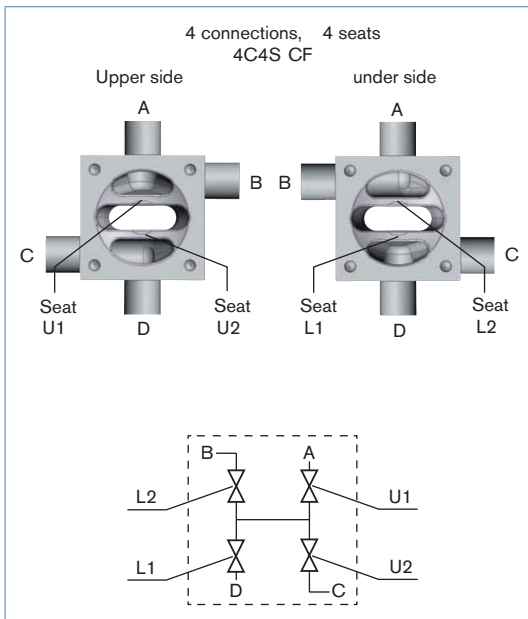
Note: For further information on max. operating pressure, please refer to the operating instructions.

Valve symbols and flow patterns

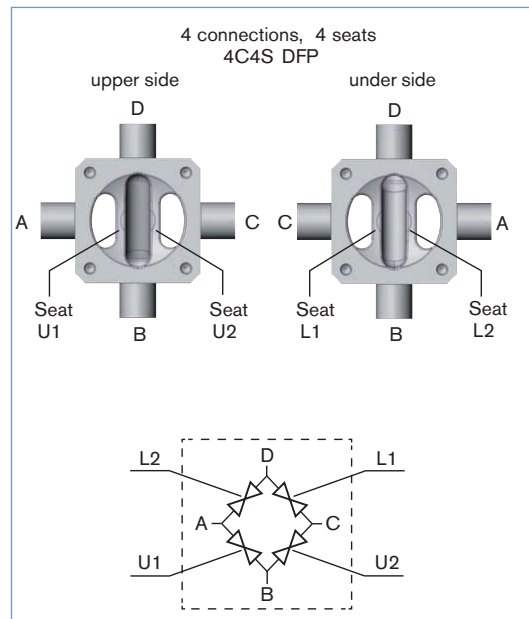
Valve symbols and flow patterns - 3C2S / 4C2S



Valve symbols and flow patterns - 4C4S CF



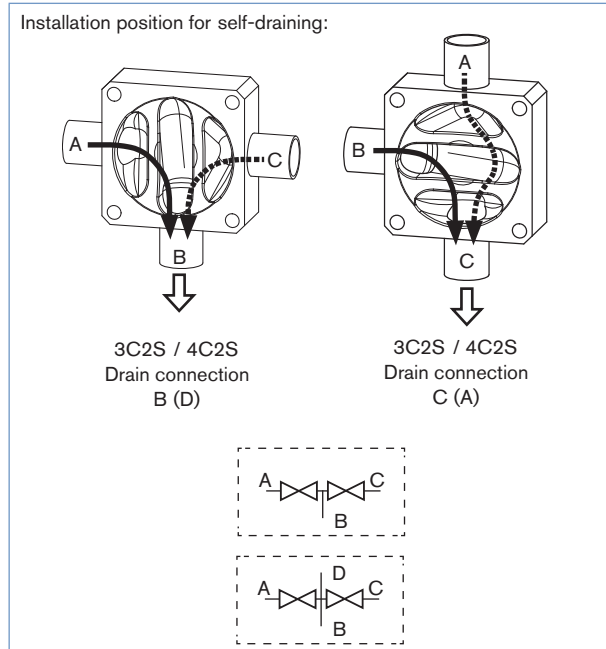
Valve symbols and flow patterns - 4C4S DFP



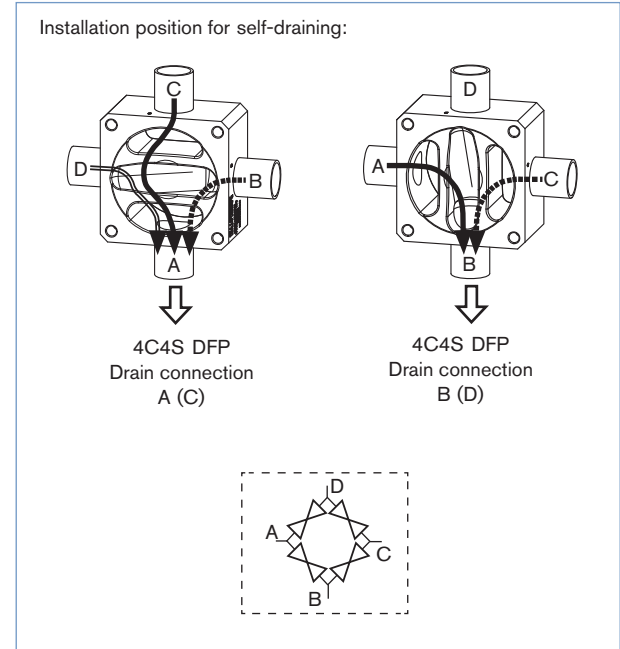
Draining operation of the valve

The draining is achieved differently depending on the valve type. It is very important to fully understand the flow paths of each individual valve body before deciding which port/connection (marked with A, B, C or D) to select for draining. Consult with your Bürkert contact person if there are any questions. The examples below show how to get the optimum draining for the 3C2S/4C2S and 4C4S

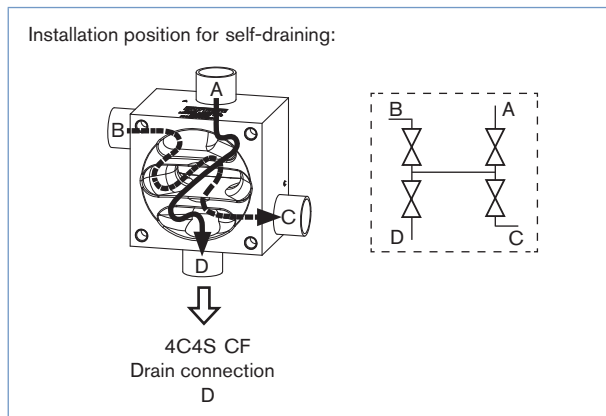
Self-draining 3C2S / 4C2S



Self-draining - 4C4S DFP

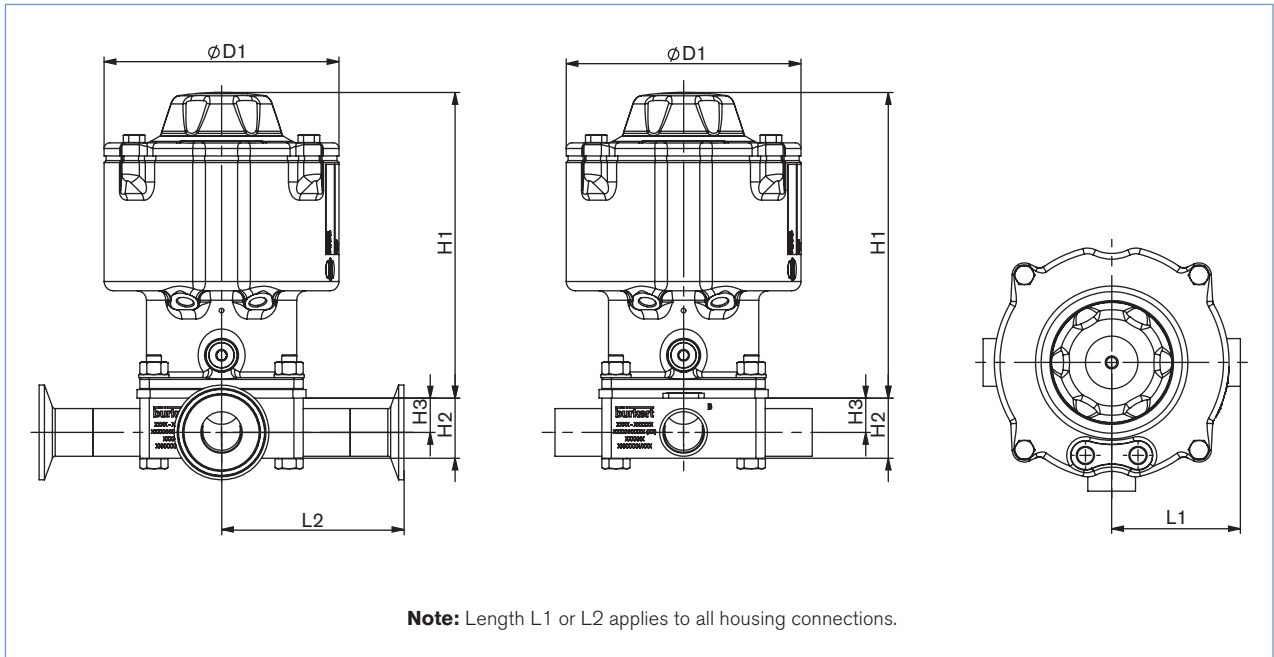


Self-draining 4C4S CF



Dimensions [mm]

3 Connections 2 Seats: 3C2S and 4 Connections 2 Seats: 4C2S

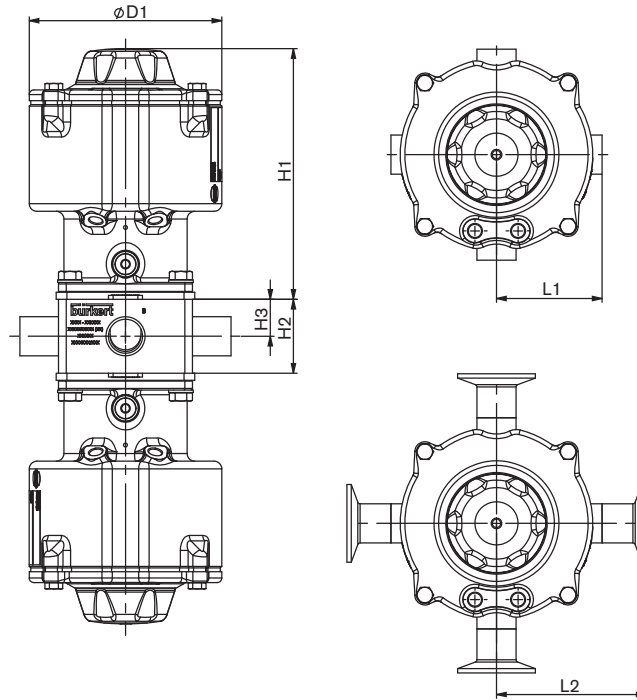


Note: Length L1 or L2 applies to all housing connections.

DN [mm]	DN [Zoll]	Actuator size	$\phi D1$	H1	H2	H3	Weld end		Clamp	
							D x s	L1	DCI x di	L2
							DIN EN ISO 1127 / ISO 4200 / DIN 11866 Series B		DIN 32676 Series B (ISO Tube)	
6	-	RV50	83	126.5	16	9.9	10.2 x 1.6	52.5	-	-
8	-	RV50	83	126.5	16	8.3	13.5 x 1.6	52.5	25.0 x 10.3	81.1
10	-	RV50	83	126.5	21	11.4	17.2 x 1.6	52.5	25.0 x 14.0	81.1
15	-	RV50	83	126.5	26	14.4	21.3 x 1.6	52.5	50.5 x 18.1	81.1
20	-	RV70	125	162.5	32	17.6	26.9 x 1.6	68.5	50.5 x 23.7	97.1
25	-	RV110	171	193	38	20.2	33.7 x 2.0	90	50.5 x 29.7	118.6
32	-	RV110	171	193	56	33.8	42.4 x 2.0	90	64.0 x 38.4	118.6
40	-	RV110	171	193	56	30.9	48.3 x 2.0	90	64.0 x 44.3	118.6
50	-	RV110	171	193	62 (3C2S) 68 (4C2S)	30.9 (3C2S) 36.9 (4C2S)	60.3 x 2.0	90	77.5 x 56.3	118.6
							DIN 11850 Series 2 / DIN 11866 Series A		DIN 32676 Series A (DIN Tube)	
4	-	RV50	83	126.5	16	12	6.0 x 1.0	52.5	-	-
6	-	RV50	83	126.5	16	11	8.0 x 1.0	52.5	-	-
8	-	RV50	83	126.5	16	10	10.0 x 1.0	52.5	-	-
10	-	RV50	83	126.5	16	8.5	13.0 x 1.5	52.5	34.0 x 10.0	70.5
15	-	RV50	83	126.5	21	10.5	19.0 x 1.5	52.5	34.0 x 16.0	70.5
20	-	RV70	125	162.5	26	13.5	23.0 x 1.5	68.5	34.0 x 20.0	86.5
25	-	RV70	125	162.5	32	16.5	29.0 x 1.5	68.5	50.5 x 26.0	90
32	-	RV110	171	193	38	19.5	35.0 x 1.5	90	50.5 x 32.0	111.5
40	-	RV110	171	193	44	22.5	41.0 x 1.5	90	50.5 x 38.0	111.5
50	-	RV110	171	193	62	34.5	53.0 x 1.5	90	64.0 x 50.0	111.5
							ASME BPE / DIN 11866 Series C		ASME BPE	
8	1/4"	RV50	83	126.5	16	11.8	6.35 x 0.89	52.5	25.0 x 4.57	81.1
10	3/8"	RV50	83	126.5	16	10.2	9.53 x 0.89	52.5	25.0 x 7.75	81.1
15	1/2"	RV50	83	126.5	16	8.7	12.7 x 1.65	52.5	25.0 x 9.4	81.1
20	3/4"	RV50	83	126.5	21	10.5	19.05 x 1.65	52.5	25.0 x 15.75	81.1
25	1"	RV70	125	162.5	32	18.3	25.4 x 1.65	68.5	50.5 x 22.1	97.1
40	1 1/2"	RV110	171	193	44	24	38.1 x 1.65	90	50.5 x 34.8	118.6
50	2"	RV110	171	193	56 (3C2C) 58 (4C2S)	29.6 (3C2C) 31.6 (4C2S)	50.8 x 1.65	90	64.0 x 47.5	118.6

Dimensions [mm]

4 Connections 4 Seats DFP: 4C4S DFP

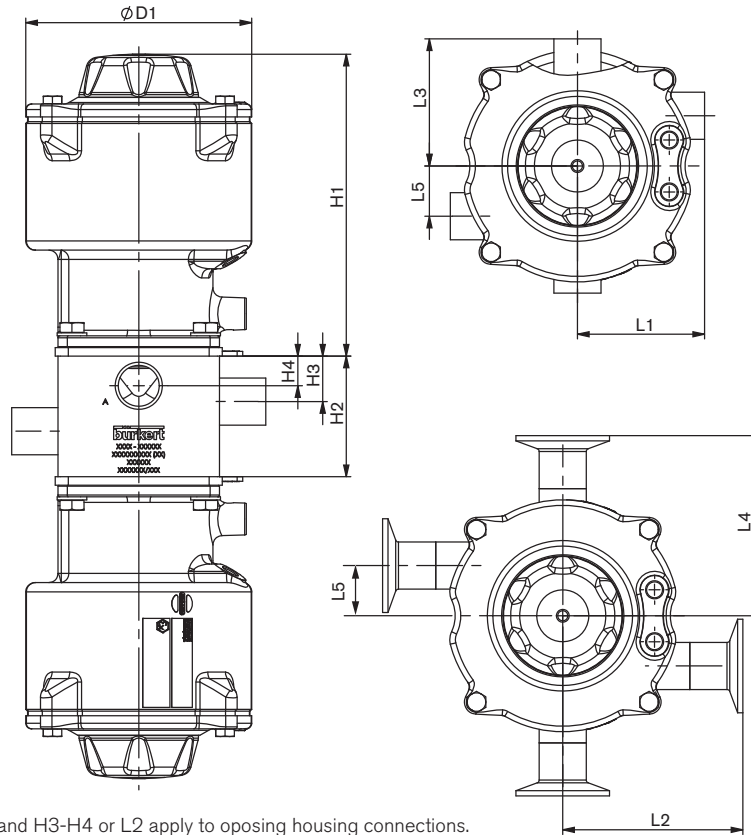


Note: Length L1 or L2 applies to all housing connections.

DN [mm]	DN [Zoll]	Actuator size	$\phi D1$	H1	H2	H3	Weld end D x s		Clamp DCI x di	
							L1	DIN EN ISO 1127 / ISO 4200 / DIN 11866 Series B	DIN 32676 Series B (ISO Tube)	L2
6	-	RV50	83	126.5	28	14	10.2 x 1.6	52.5	-	-
8	-	RV50	83	126.5	28	14	13.5 x 1.6	52.5	25.0 x 10.3	81.1
10	-	RV50	83	126.5	34	17	17.2 x 1.6	52.5	25.0 x 14.0	81.1
15	-	RV50	83	126.5	34	17	21.3 x 1.6	52.5	50.5 x 18.1	81.1
20	-	RV70	125	162.5	48	24	26.9 x 1.6	68.5	50.5 x 23.7	97.1
25	-	RV110	171	193	65	32.5	33.7 x 2.0	90	50.5 x 29.7	118.6
32	-	RV110	171	193	65	32.5	42.4 x 2.0	90	64.0 x 38.4	118.6
40	-	RV110	171	193	70	35	48.3 x 2.0	90	64.0 x 44.3	118.6
50	-	RV110	171	193	70	35	60.3 x 2.0	90	77.5 x 56.3	118.6
							DIN 11850 Series 2 / DIN 11866 Series A		DIN 32676 Series A (DIN Tube)	
4	-	RV50	83	126.5	28	14	6.0 x 1.0	52.5	-	-
6	-	RV50	83	126.5	28	14	8.0 x 1.0	52.5	-	-
8	-	RV50	83	126.5	28	14	10.0 x 1.0	52.5	-	-
10	-	RV50	83	126.5	28	14	13.0 x 1.5	52.5	34.0 x 10.0	70.5
15	-	RV50	83	126.5	34	17	19.0 x 1.5	52.5	34.0 x 16.0	70.5
20	-	RV70	125	162.5	48	24	23.0 x 1.5	68.5	34.0 x 20.0	86.5
25	-	RV70	125	162.5	48	24	29.0 x 1.5	68.5	50.5 x 26.0	90
32	-	RV110	171	193	65	32.5	35.0 x 1.5	90	50.5 x 32.0	111.5
40	-	RV110	171	193	70	35	41.0 x 1.5	90	50.5 x 38.0	111.5
50	-	RV110	171	193	70	35	53.0 x 1.5	90	64.0 x 50.0	111.5
							ASME BPE / DIN 11866 Series C		ASME BPE	
8	1/4"	RV50	83	126.5	28	14	6.35 x 0.89	52.5	25.0 x 4.57	81.1
10	3/8"	RV50	83	126.5	28	14	9.53 x 0.89	52.5	25.0 x 7.75	81.1
15	1/2"	RV50	83	126.5	28	14	12.7 x 1.65	52.5	25.0 x 9.4	81.1
20	3/4"	RV50	83	126.5	34	17	19.05 x 1.65	52.5	25.0 x 15.75	81.1
25	1"	RV70	125	162.5	48	24	25.4 x 1.65	68.5	50.5 x 22.1	97.1
40	1 1/2"	RV110	171	193	70	35	38.1 x 1.65	90	50.5 x 34.8	118.6
50	2"	RV110	171	193	70	35	50.8 x 1.65	90	64.0 x 47.5	118.6

Dimensions [mm]

4 Connections 4 Seats CF; 4C4S CF



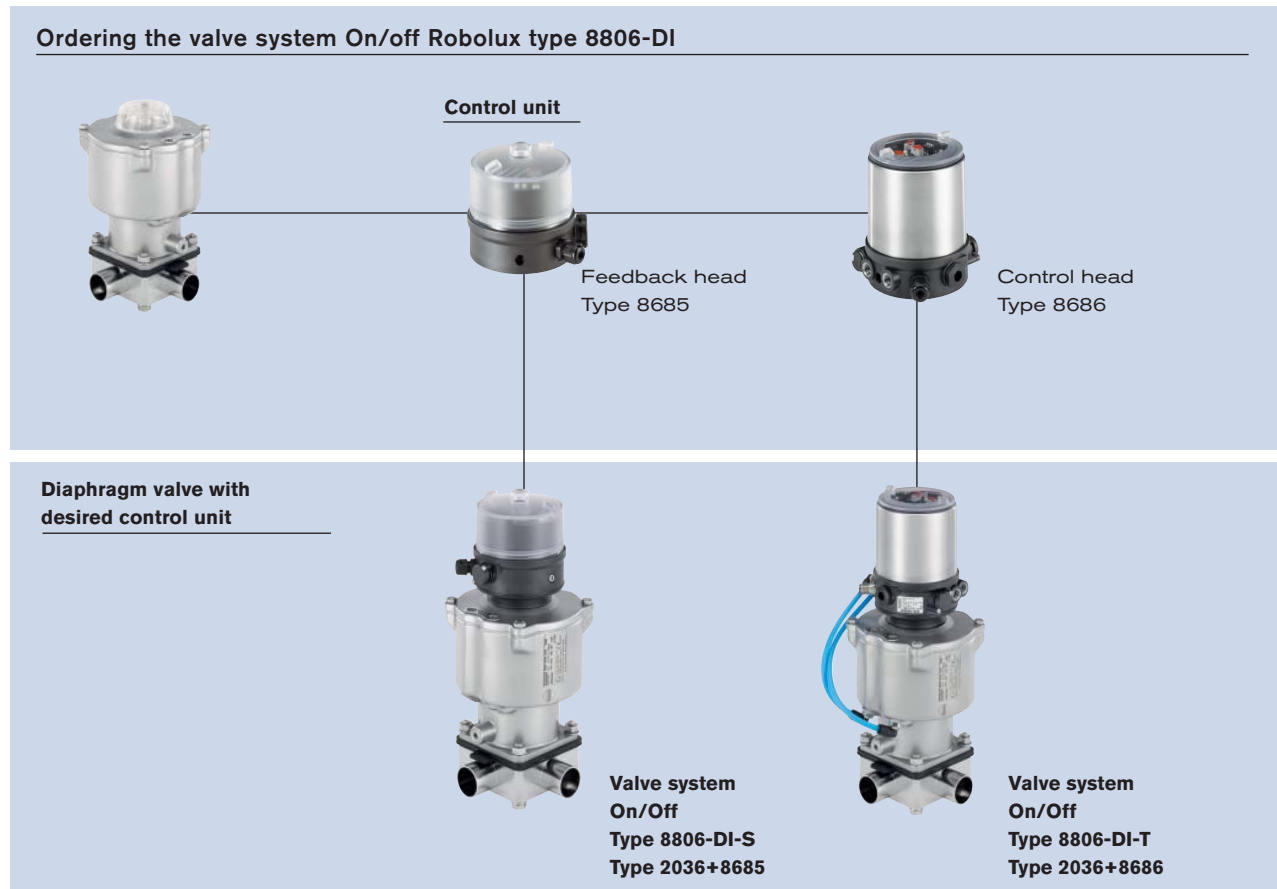
Note: Lengths L1-L5 and H3-H4 or L2 apply to opposing housing connections.

DN [mm]	DN [Zoll]	Actuator size	$\varnothing D1$	H1	H2	H3	H4	L5	Weld end D x s			Clamp DCI x di		
									L1	L3	DIN EN ISO 1127 / ISO 4200 / DIN 11866 Series B	L2	L4	DIN32676 series B (ISO Tube)
6	-	RV50	83	126.5	40	18.5	11.5	20.5	10.2 x 1.6	52.5	52.5	-	-	-
8	-	RV50	83	126.5	42	19	9.9	13.6	13.5 x 1.6	52.5	52.5	25.0 x 10.3	81.1	81.1
10	-	RV50	83	126.5	50	21.5	12	18.2	17.2 x 1.6	52.5	52.5	25.0 x 14.0	81.1	-
15	-	RV50	83	126.5	58	25.5	11.7	12.2	21.3 x 1.6	52.5	52.5	50.5 x 18.1	81.1	81.1
20	-	RV70	125	162.5	67	25.5	15.2	27.8	26.9 x 1.6	68.5	68.5	50.5 x 23.7	97.1	97.1
25	-	RV110	171	193	91	35	24.2	40.1	33.7 x 2.0	90	90	50.5 x 29.7	118.6	118.6
32	-	RV110	171	193	106	42	22.5	44	42.4 x 2.0	90	91.5	64.0 x 38.4	118.6	-
40	-	RV110	171	193	120	46.5	26	47.1	48.3 x 2.0	90	98.2	64.0 x 44.3	118.6	126.8
50	-	RV110	171	193	147	53.5	32	53.1	60.3 x 2.0	90	110.2	77.5 x 56.3	118.6	138.8
									DIN 11850 Series 2 / DIN 11866 Series A			DIN 32676 Series A (DIN Tube)		
4	-	RV50	83	126.5	40	18.5	13	22	6.0 x 1.0	52.5	52.5	-	-	-
6	-	RV50	83	126.5	40	18.5	12	21	8.0 x 1.0	52.5	52.5	-	-	-
8	-	RV50	83	126.5	40	18.5	11	20	10.0 x 1.0	52.5	52.5	-	-	-
10	-	RV50	83	126.5	40	19	9	19	13.0 x 1.5	52.5	52.5	34.0 x 10.0	81.1	81.1
15	-	RV50	83	126.5	54	23.5	11.9	13.3	19.0 x 1.5	52.5	52.5	34.0 x 16.0	81.1	81.1
20	-	RV70	125	162.5	62	22.5	17	26	23.0 x 1.5	68.5	68.5	34.0 x 20.0	86.5	86.5
25	-	RV70	125	162.5	73	27.5	16.5	29	29.0 x 1.5	68.5	69.5	50.5 x 26.0	90	91
32	-	RV110	171	193	95	37	23	41	35.0 x 1.5	90	90	50.5 x 32.0	111.5	111.5
40	-	RV110	171	193	104	41.5	22	33	41.0 x 1.5	90	91	50.5 x 38.0	111.5	112.5
50	-	RV110	171	193	134	50.5	30	50	53.0 x 1.5	90	103.5	64.0 x 50.0	111.5	125
									ASME BPE / DIN 11866 Series C			ASME BPE		
8	1/4"	RV50	83	126.5	40	18.5	12.5	21.7	6.35 x 0.89	52.5	52.5	25.0 x 4.57	81.1	81.1
10	3/8"	RV50	83	126.5	40	18.5	11	20.1	9.53 x 0.89	52.5	52.5	25.0 x 7.75	81.1	81.1
15	1/2"	RV50	83	126.5	40	8.5	10.3	13.2	12.7 x 1.65	52.5	52.5	25.0 x 9.4	81.1	81.1
20	3/4"	RV50	83	126.5	53	22.5	12	13.4	19.05 x 1.65	52.5	52.5	25.0 x 15.75	81.1	81.1
25	1"	RV70	125	162.5	65	24.5	16	27	25.4 x 1.65	68.5	68.5	50.5 x 22.1	97.1	97.1
40	1 1/2"	RV110	171	193	98	39	21.6	42.4	38.1 x 1.65	90	90	50.5 x 34.8	118.6	118.6
50	2"	RV110	171	193	126	48.5	27.7	48.7	50.8 x 1.65	90	101	64.0 x 47.5	118.6	129.6

Ordering information for valve system On/Off Robolux Type 8806

A valve system On/Off Robolux Type 8806 consists of a diaphragm valve Type 2036 and a feedback head Type 8685 or control head Type 8686. For the configuration of further valve systems please use the "Request for quotation". You order two components and receive a complete assembled and certified valve.

Ordering the valve system On/off Robolux type 8806-DI



Click on the orange box "More info." below... you will come to our website for the resp. product where you can download the data sheet.

Position feedback head Type 8685



More info.

The New Feedback, Type 8685, for combination with the pneumatically operated actuator, Type 2036. The Robolux model is specially designed for hygienic environments.

The feedback unit with electrical position feedback is also available in ASI and is intrinsically safe acc. to ATEX

Main customer benefits:

- Adjustment to the individual actuator size is done through DIP switches.
- The devices contain the complete automation functionality of the two individually operated actuator pistons.
- Visual position feedback is done by non-contact switches and high-power LEDs.
- Hygienic design, materials are chemically resistant against cleaning media and a proven electrical IP protection.
- Standard version, 24 VDC.

Control head Type 8686



More info.

The new Control Head, Type 8686, for combination with the pneumatically operated actuator, Type 2036. The Robolux model is specially designed for hygienic environments.

The Control Head which combines electrical position feedback and pneumatic control is also available in ASI and is intrinsically safe acc. to ATEX

Main customer benefits:

- Adjustment to the individual actuator size is done through DIP-switches.
- The devices contain the complete automation functionality of both individually operated actuator pistons.
- Visual position feedback is done by noncontact switches and high-power LEDs.
- Integrated compressed air filter to protect the pilot valve function against particles through the compressed air supply.
- Hygienic design, materials being chemically resistant against cleaning media and a proven electrical IP protection.
- Standard version, 24 VDC.

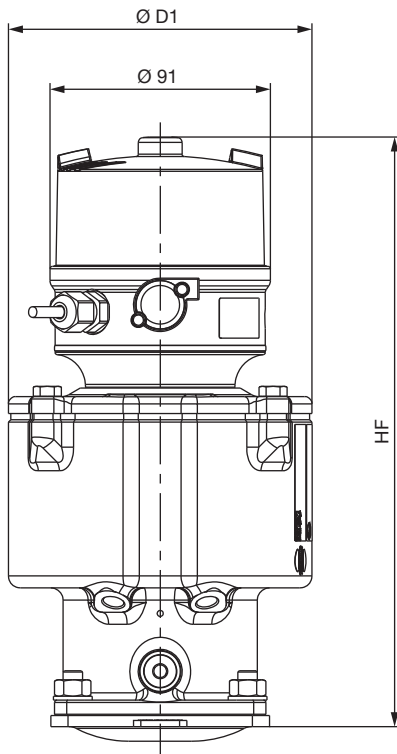
Note:

Certain system configurations of size RV50 can not be welded to each other directly. Please contact your local subsidiaries in advance before ordering.

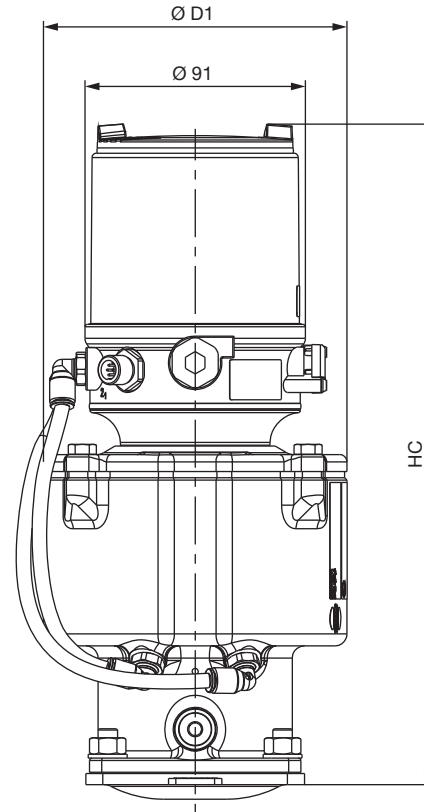
Dimensions for valve system On/Off Robolux Type 8806-DI [mm]

Type 8806-DI-S with feedback head Type 8685
Type 8806-DI-T with feedback head Type 8686

8806-DI-S
2036 with feedback head 8685



8806-DI-T
2036 with feedback head 8686



Actuator size	ØD1	HF	HC
RV50	83	214.5	243.5
RV70	125	242.5	272
RV110	171	273	302.5

Note: For housing dimensions see pages 5 to 7

Note
You can fill out the fields directly in the PDF file before printing out the form.

Robolux valves – request for quotation

▶ Please fill out and send to your nearest Bürkert facility* with your inquiry or order

Company	Contact person
Customer no.	Department
Address	Tel./Fax
Postcode/town	E-Mail

= mandatory fields to fill out Quantity Required delivery date

Operating data

Pipe line DN PN

Pipe material

Process medium

Type of media Liquid Steam Gas CIP SIP

Valve features

Surface finish Standard Ra 0,5 internal other internal other external

Seal material EPDM advanced PTFE other

Medium pressure Pmed

Orifice DN

Type of connection Weld end Clamp other

Standard connection ISO DIN R2 ASME BPE other

Pilot pressure min. max.

Please specify item no. if known:

Valve features

Specification key (automatically transferred from p. 11)

2036 **SS** **FA07**

Control unit features	
<input type="checkbox"/> Position Feedback Head Type 8685	<input type="checkbox"/> Control Head Type 8686
<p>Position feedback</p> <p><input type="checkbox"/> 2x inductive</p> <p><input type="checkbox"/> 2x inductive Namur</p> <p>Communication</p> <p><input type="checkbox"/> ASI, Flat cable clip, 1 m cable</p> <p>Supply voltage</p> <p><input type="checkbox"/> 24 V/DC <input type="checkbox"/> 8V (Namur)</p> <p>Approval</p> <p><input type="checkbox"/> II 2G Ex ia IIC T4 Gb (BVS 13 ATEX E 039 X) Ex ia IIC T4 Gb (IECEX BVS 13.0047X)</p> <p>Please specify item no. if known: <input type="text"/></p>	<p>Position feedback</p> <p><input type="checkbox"/> 2x inductive</p> <p><input type="checkbox"/> 2x inductive Namur</p> <p>Communication</p> <p><input type="checkbox"/> ASI, Flat cable clip, 1 m cable</p> <p>Supply voltage</p> <p><input type="checkbox"/> 24 V/DC <input type="checkbox"/> 8V (Namur)</p> <p>Approval</p> <p><input type="checkbox"/> II 2G Ex ia IIC T4 Gb (BVS 13 ATEX E 039 X) Ex ia IIC T4 Gb (IECEX BVS 13.0047X)</p> <p>Please specify item no. if known: <input type="text"/></p>

DTS 1000215411 EN Version: D Status: RL (released | freigegeben | valide) printed: 24.03.2017

Specification key (other versions and valve blocks on request)

Example **32R** **50** **AD** **VH** **SA42** **SS** **D 11** **000** **FA07** **NO23**

Specification key **SS** **FA07**

Please make a choice

Connections-Seats	
32R	3C2S 3 Connections 2 seats
42R	4C2S 4 Connections 2 seats
44C	4C4S CF 4 Connections 4 seats Cross Flow
44D	4C4S DFP 4 Connections 4 seats Double Flow Path

Actuators*	
50	actuator RV50
70	actuator RV70
11	actuator RV110

*Remark: The actuator size depends on the size of the port connection (see p. 12)

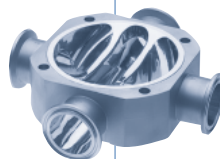
Diaphragm material	
AD	EPDM
EK	advanced PTFE

Others on request

Body material	
VH	stainless steel 1.4435, AISI 316L

Other body materials on request,
VI stainless steel 1.4435-BN2, AISI 316L-ASME BPE

Port connections
Continued on p. 12



Variable codes	
Surface finish external	
machined Ra ≤ 1,6	
electropolished Ra ≤ 1,6	
Surface finish internal	
NO14	mechanically polished Ra ≤ 0,5 µm (ASME BPE SF1)
NO17	electropolished Ra ≤ 0,38 µm (ASME BPE SF4 / DIN HE4)

Standard

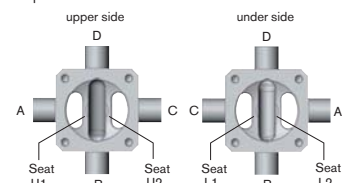
Actuators lower side*	
D	double actuator
000	without actuator (3C2S, 4C2S)
1	Seat closed by spring force
2	Seat opened by spring force
5	Seat closed by reduced spring force

Actuators upper side*	
D	double actuator
1	Seat closed by spring force
2	Seat opened by spring force
5	Seat closed by reduced spring force

- Actuator upper side (example)
D11 = Seat U1 and U2 normally closed by spring action
D21 = Seat U1 normally open and U2 normally closed by spring action
- Actuator lower side
Same option is available for the lower side.

Please refer to the section *Valve symbols and flow patterns* p. 3 for more details.

Example:



(orientation of the ports A-B-C-D counter clockwise)

(orientation of the ports A-B-C-D clockwise)

Specification key, continued (other versions and valve blocks on request)

Port connection, weld end

Orifice DN		DIN EN ISO 1127 / ISO 4200 / DIN 11866 series B	DIN 11850 series 2 / DIN 11866 series A	ASME BPE / DIN 11866 series C
[mm]	[inch]			
Port connections for valves with actuator size RV50				
4			SC40 - 6x1.0	
6	1/8"	SA78 - 10.2x1.6	SC41 - 8x1.0	
8	1/4"	SA40 - 13.5x1.6	SC42 - 10x1.0	SA90 - 6.35x0.89
10	3/8"	SA41 - 17.2x1.6	SD40 - 13x1.5	SA91 - 9.53x0.89
15	1/2"	SA42 - 21.3x1.6	SD42 - 19x1.5	SA92 - 12.7x1.65
20	3/4"			SA93 - 19.05x1.65
Port connections for valves with actuator size RV70				
20	3/4"	SA43 - 26.9x1.6	SD43 - 23x1.5	
25	1"		SD44 - 29x1.5	SODF - 25.4x1.65
Port connections for valves with actuator size RV110				
25	1"	SA44 - 33.7x2.0		
32	1 1/4"	SA45 - 42.4x2.0	SD45 - 35x1.5	
40	1 1/2"	SA46 - 48.3x2.0	SD46 - 41x1.5	SODH - 38.1x1.65
50	2"	SA47 - 60.3x2.0	SD47 - 53x1.5	SODI - 50.8x1.65

Port connection, clamp

Orifice DN		DIN 32676 series B (Pipe DIN EN ISO 1127 / ISO 4200 /DIN 11866 series B)	DIN 32676 series A (Pipe DIN 11850 series 2 / DIN 11866 series A)	ASME BPE (Pipe 11866 series A)
[mm]	[inch]			
Port connections for valves with actuator size RV50				
6	1/8"		TD39 - 8,0x1,0 Cl: 25,0	
8	1/4"	TC40 - 13,5x1,6 Cl: 25,0	TD40 - 10,0x1,0 Cl: 25,0	TG50 - 6,35x0,89 Cl: 25,0
10	3/8"	TC53 - 17,2x1,6 Cl: 25,0	TD41 - 13,0x1,5 Cl: 34,0	TG01 - 9,53x0,89 Cl: 25,0
15	1/2"	TC52 - 21,3x1,6 Cl: 50,5	TD42 - 19,0x1,5 Cl: 34,0	TG02 - 12,7x1,65 Cl: 25,0
20	3/4"			TG03 - 19,05x1,65 Cl: 25,0
Port connections for valves with actuator size RV70				
20	3/4"	TC43 - 26,9x1,6 Cl: 50,5	TD43 - 23,0x1,5 Cl: 34,0	
25	1"		TD44 - 29,0x1,5 Cl: 50,5	TG04 - 25,4x1,65 Cl: 50,5
Port connections for valves with actuator size RV110				
25	1"	TC44 - 33,7x2,0 Cl: 50,5		
32	1 1/4"	TC55 - 42,4x2,0 Cl: 64,0	TD45 - 35,0x1,5 Cl: 50,5	
40	1 1/2"	TC46 - 48,3x2,0 Cl: 64,0	TD46 - 41,0x1,5 Cl: 50,5	TG05 - 38,1x1,65 Cl: 50,5
50	2"	TC47 - 60,3x2,0 Cl: 77,5	TD47 - 53,0x1,5 Cl: 64,0	TG06 - 50,8x1,65 Cl: 64,0

* To find your nearest Bürkert facility, click on the orange box → www.burkert.com

In case of special application conditions,
please consult for advice.

Subject to alteration.
© Christian Bürkert GmbH & Co. KG

1703/3_EU-en_00895190